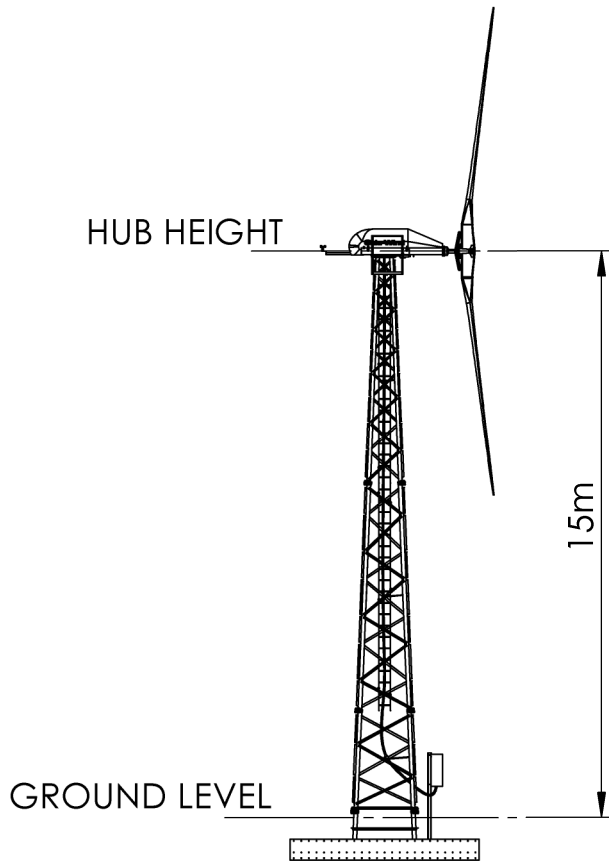
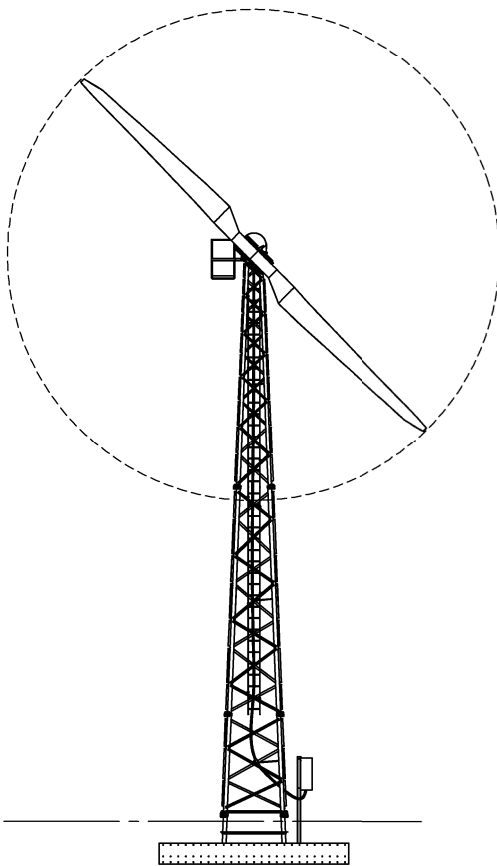


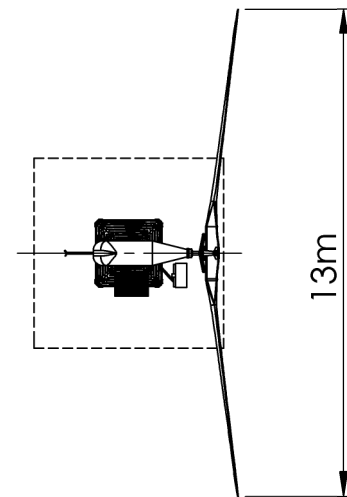
FRONT ELEVATION  
(SHOWING ROTOR IN VERTICAL POSITION)



FRONT ELEVATION  
(SHOWING ROTOR NORMAL TO VIEW)



PLAN VIEW  
(SHOWING ROTOR IN HORIZONTAL POSITION)




GROUND LEVEL

15m

13m

ZONE	REV.	DESCRIPTION	DRAWN	APP'VD	DATE
-	1	FRONT ELEVATION ADDED SHOWING ROTOR NORMAL TO VIEW.	DJL	PJR	09/02/2010
REVISIONS					

DO NOT SCALE DRAWING  
DEBUR AND BREAK SHARP EDGES  
THIRD ANGLE PROJECTION  
FILENAME:  
GAIA-WIND 15-1L - 15M LATTICE LAYOUT DRAWING.SLDDRW



NAME	DATE
DRAWN: DJL	01/02/2010
CHK'D: PJR	01/02/2010
APP'VD: PJR	01/02/2010
FINISH:	-
MATERIAL:	-
WEIGHT (kg):	-

COPYRIGHT © 2009 GAIA-WIND LTD		REVISION
TITLE:		1
133-11kW TURBINE - 15M LATTICE TOWER		
DWG NO.		
GAIA-WIND 15-1L		
TOLERANCES		A4
SCALE: 1:200		