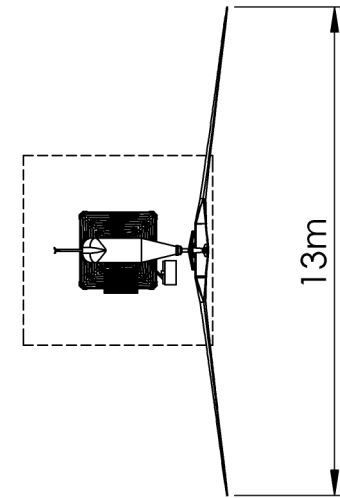
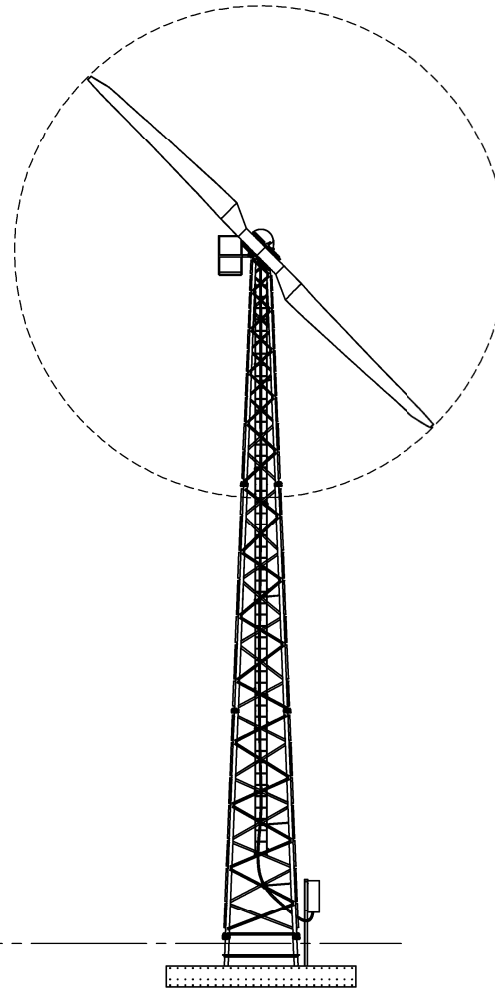
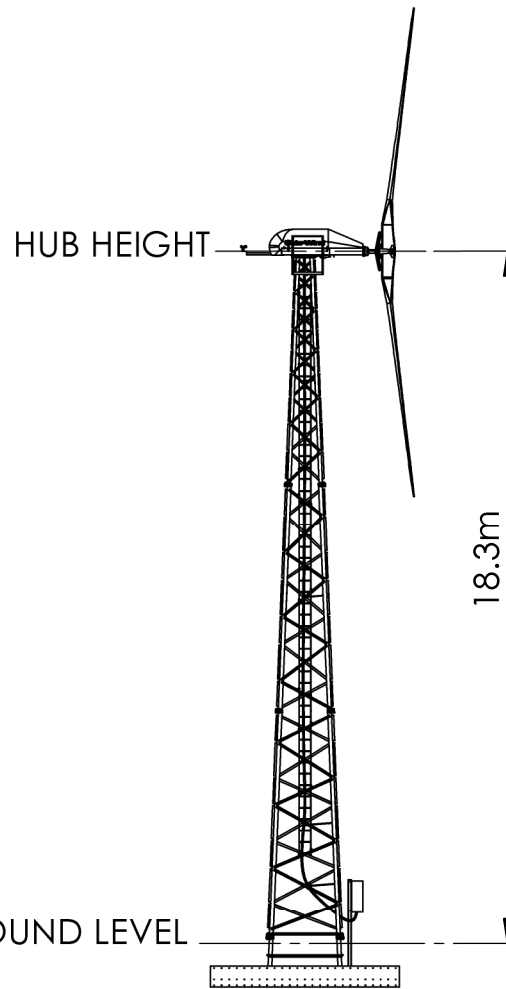


FRONT ELEVATION
(SHOWING ROTOR IN VERTICAL POSITION)

FRONT ELEVATION
(SHOWING ROTOR NORMAL TO VIEW)

PLAN VIEW
(SHOWING ROTOR IN HORIZONTAL POSITION)




GROUND LEVEL

18.3m

13m

ZONE	REV.	DESCRIPTION	DRAWN	APP'VD	DATE
-	1	FRONT ELEVATION ADDED SHOWING ROTOR NORMAL TO VIEW.	DJL	PJR	09/02/2010

REVISIONS

DO NOT SCALE DRAWING	CHK'D	PJR	27/10/2009
DEBUR AND BREAK SHARP EDGES	APP'VD	PJR	27/10/2009
THIRD ANGLE PROJECTION	FINISH:		
FILENAME: GAIA-WIND 18-1L - 18M LATTICE LAYOUT DRAWING SLIDESHOW	MATERIAL:		
	WEIGHT (kg):		

COPYRIGHT © 2009 GAIA-WIND LTD		REVISION 1
TITLE:		133-11kW TURBINE - 18M LATTICE TOWER
DWG NO.		GAIA-WIND 18-1L
TOLERANCES		A4
SCALE: 1:200		