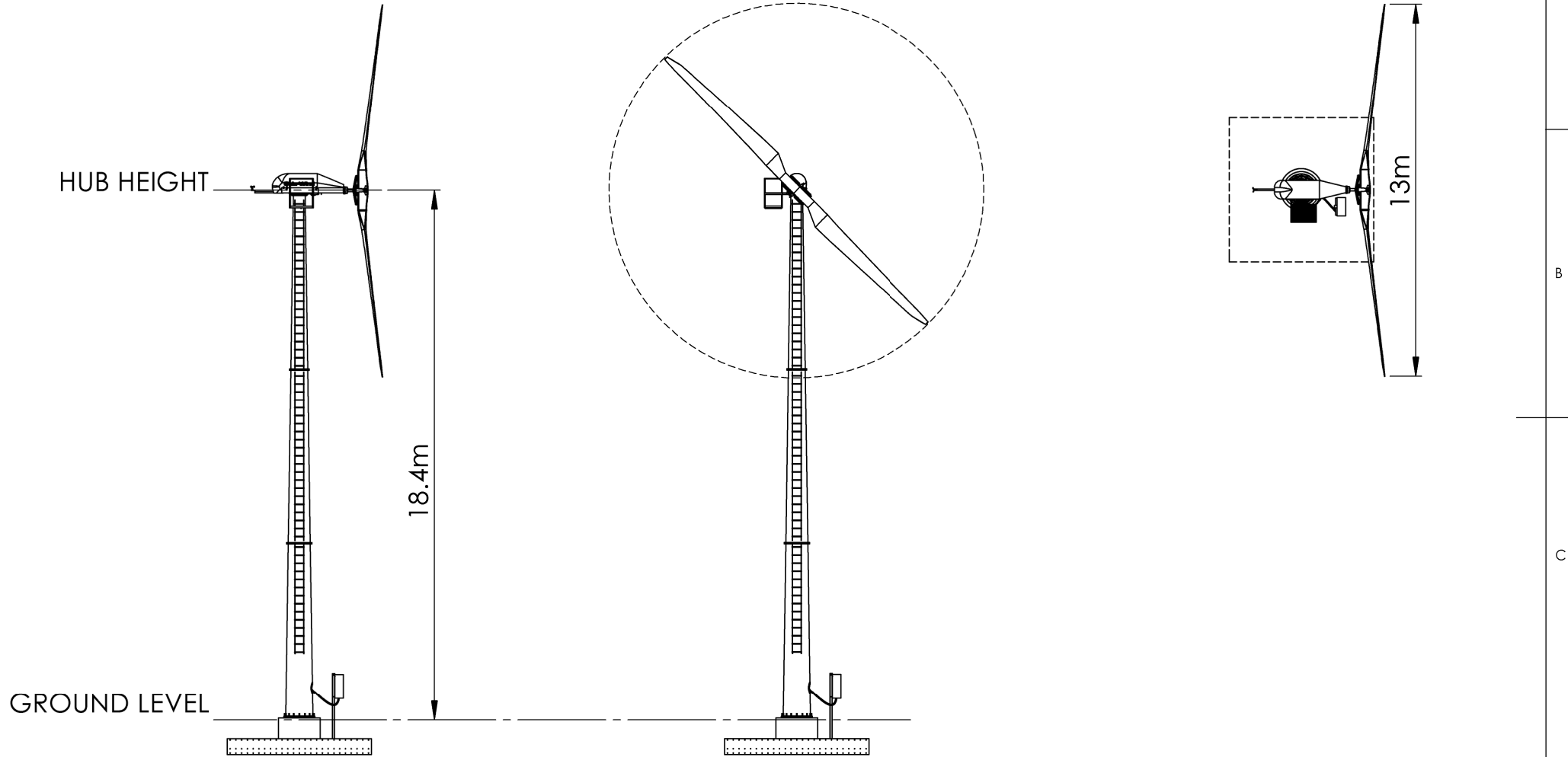


FRONT ELEVATION
(SHOWING ROTOR IN VERTICAL POSITION)

FRONT ELEVATION
(SHOWING ROTOR NORMAL TO VIEW)

PLAN VIEW
(SHOWING ROTOR IN HORIZONTAL POSITION)



COPYRIGHT © 2009 GAIA-WIND LTD REVISION 1

NAME	DATE
DRAWN: DJL	27/10/2009
CHK'D: PJR	27/10/2009
APP'V'D: PJR	27/10/2009
THIRD ANGLE PROJECTION	
FINISH:	
MATERIAL:	
WEIGHT (kg):	

TITLE:	REVISION
133-11kW TURBINE - 18M TUBULAR TOWER	1
DWG NO.	
GAIA-WIND 18-1T	
TOLERANCES	A4
SCALE: 1:200	

ZONE	REV.	DESCRIPTION	DRAWN	APP'V'D	DATE
-	1	FRONT ELEVATION ADDED SHOWING ROTOR NORMAL TO VIEW.	DJL	PJR	09/02/2010

REVISIONS

